

JVC

SERVICE MANUAL

MODEL
JA-S55

STEREO INTEGRATED AMPLIFIER



No.2447
FEB.1978

Contents

	Page
1. Specifications	2
2. Block Diagram	2
3. Removal of Top Cover and Bottom Plates	3
4. Main Parts Location and Part Numbers	4
5. Exploded Views and Part Numbers	
5-(1) Front Panel	5
5-(2) Heat Sink and Power IC's	6
5-(3) Rear Panel	6
6. Adjustment Procedures	
6-(1) Main Amp. Center Voltage	7
6-(2) Power Meter	8
6-(3) Equalizer Amp. Center Voltage	8
7. Printed Circuit Board Ass'y and Parts List	
7-(1) TXX-132B, C, D or E Driver & Equalizer Amp. P.C. Board Ass'y	9
7-(2) TXX-133B, C, D or E Power Amp. & Protector P.C. Board Ass'y	16
7-(3) TPS-194A AC Outlet & Voltage Selector P.C. Board Ass'y	20
7-(4) TPS-197A Line Voltage Selector P.C. Board Ass'y	20
8. Packing Materials and Part Numbers	21
9. Accessories List	21
10. JA-S55 Schematic Diagram	22
11. Parts List with Specified Numbers for Designated Areas	24

Warning:

When replacing the parts maked with \triangle , be sure to use the designated parts to ensure safety.

Power Specifications

Areas	Line Voltage & Frequency	Power Consumption
U.S.A.	AC 120 V, 60 Hz	255 W
CANADA	AC 120 V, 60 Hz	320 VA
EUROPE	AC 220 V \sim , 50 Hz	478 W
U.K. & AUSTRALIA	AC 240 V \sim , 50 Hz	478 W
OTHER AREAS	AC 100/120/220/240 V \sim Selectable, 50/60 Hz	478 W

3. Removal of Top Cover and Bottom Plates

Procedure (Top Cover)

1. Remove 6 screws (Item No. 1) from the top cover (Item No.2).
2. Remove 2 screws (Item No. 3) from the rear panel back of top cover.

Procedure (Bottom Plate)

1. Remove 2 screws (Item No. 4) from the sub bottom plate (Item No. 5).
2. Remove 7 screws (Item No. 6) from the bottom plate (Item No. 7).

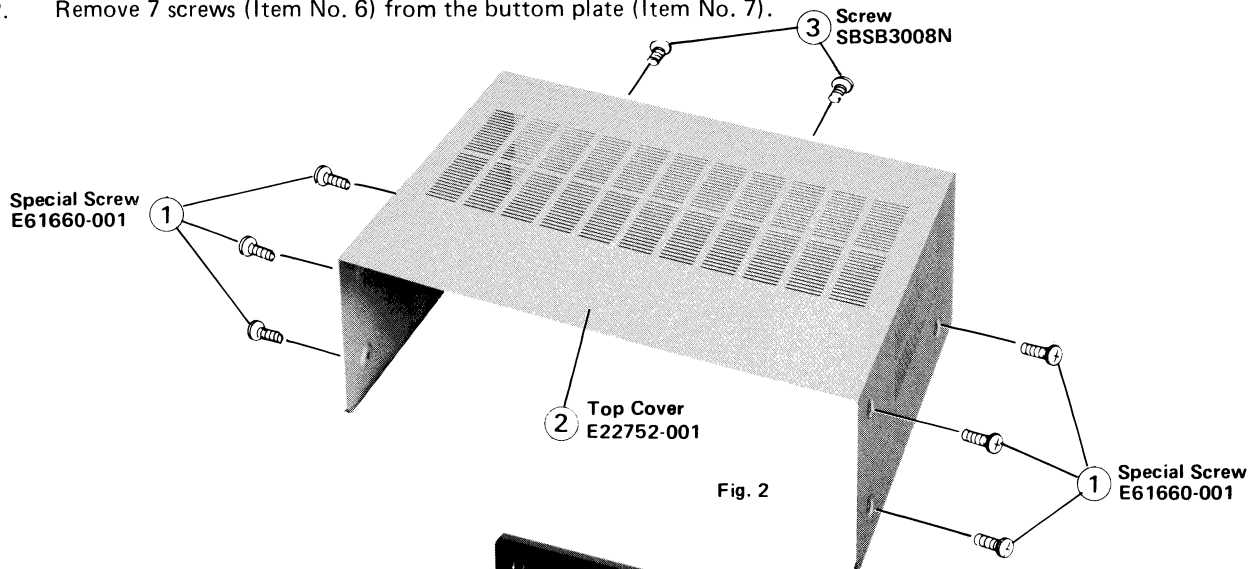


Fig. 2

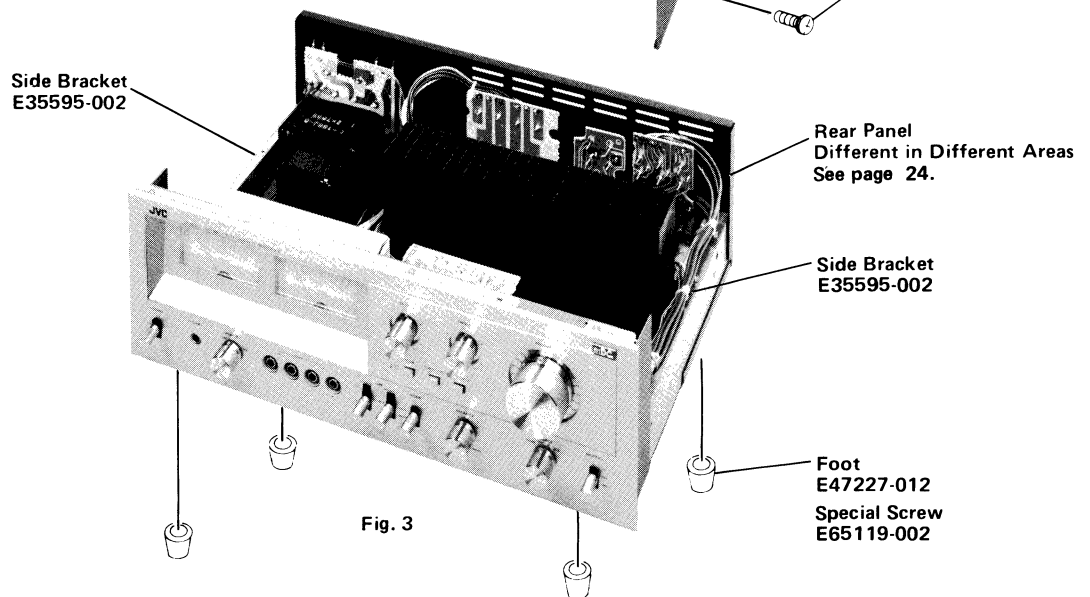


Fig. 3

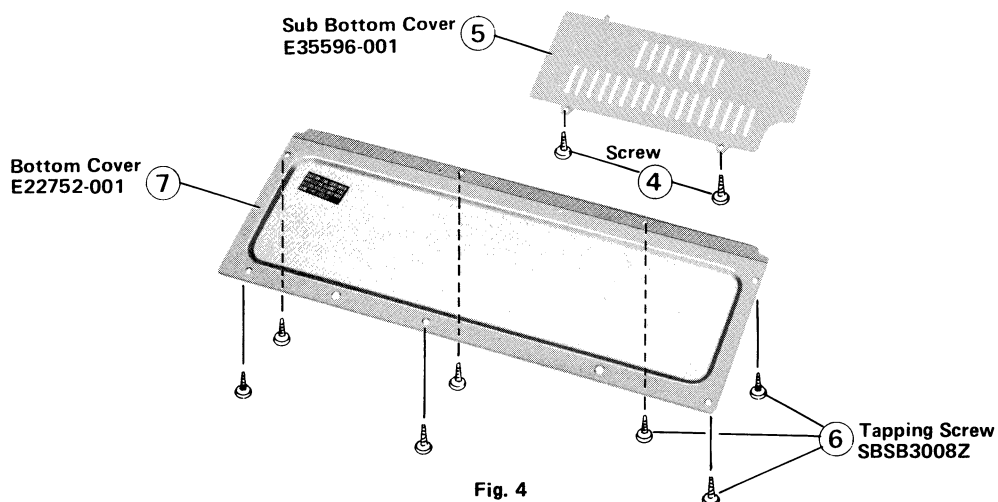


Fig. 4

1. Specifications

CIRCUITRY	: All-Stage ICL Tri-DC Amplifier	PREAMPLIFIER SECTION	
POWER AMPLIFIER SECTION (measured from AUX INPUT to SPEAKER OUTPUT at Volume maximum.)		Input Sensitivity (Impedance)	
Output Power	: 60 watts per channel, min. RMS, both channels driven, into 8 ohms, from 20 Hz to 20,000 Hz with no more than 0.02 % total harmonic distortion 65 watts RMS per channel into 8 ohms (1 kHz, 0.02 % THD) 70 watts RMS per channel into 4 ohms (1 kHz, 0.05 % THD)	PHONO	: 2.5 mV (47k ohms)
Total Harmonic Distortion (1 kHz)	: 0.005 % at Rated Output 0.02 % at 1 watt Output	TUNER	: 200 mV (50k ohms)
Intermodulation Distortion	: 0.01 % at Rated Output 0.01 % at 1 watt Output	AUX	: 200 mV (50k ohms)
Damping Factor	: 50 (20 – 20 kHz, 8 ohms)	TAPE PLAY	: 200 mV (50k ohms) (Tape-1, 2)
Load Impedance	: 4 – 16 ohms (SYSTEM 1 or 2) 8 – 16 ohms (SYSTEM 1 + 2)	Phono Overload Capacity	: 230 mV (RMS)
		RIAA Phono Equalization	: ± 0.3 dB (20 – 20 kHz)
		Output Level	
		TAPE REC	: 200 mV
		Signal-to-Noise Ratio (RMS)	
		PHONO (IHF A Network)	: 81 dB
		TUNER, AUX, TAPE PLAY (IHF A Network)	: 105 dB
		Frequency Response	: 5 Hz – 100 kHz (+0, -1 dB)
		Tone Controls	: Bass 100 Hz ± 8 dB Treble 10 kHz ± 8 dB
		Subsonic Filter	: 6 dB/oct. at 18 Hz
		Muting Level	: -20 dB
		Loudness Control	: +6 dB at 100 Hz, -30 dB Volume Control +4 dB at 10 kHz
		GENERAL	
		Power Source	: See page 1.
		Dimensions (H x W x D)	: 149 x 420 x 334 (mm) 6 x 16-3/4 x 13-3/8 (inches)
		Weight (Net)	: 10 kg (22 lbs.)

Design and specifications subject to change without notice.

2. Block Diagram

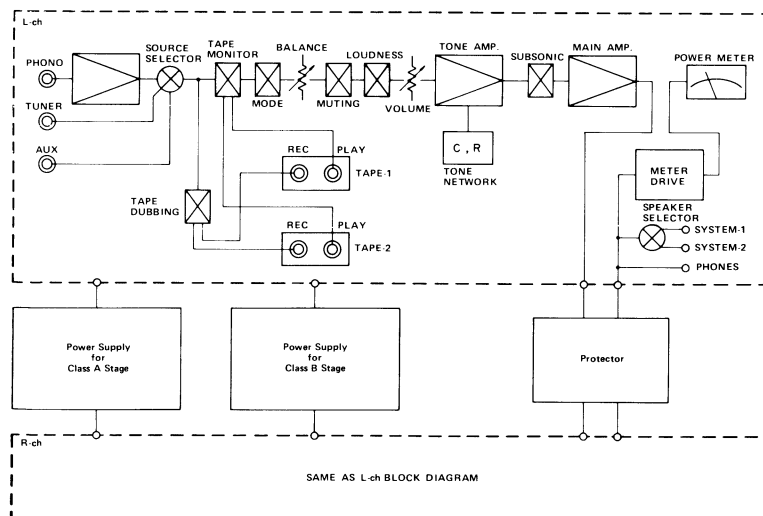


Fig. 1

4. Main Parts Location and Part Numbers

Top View

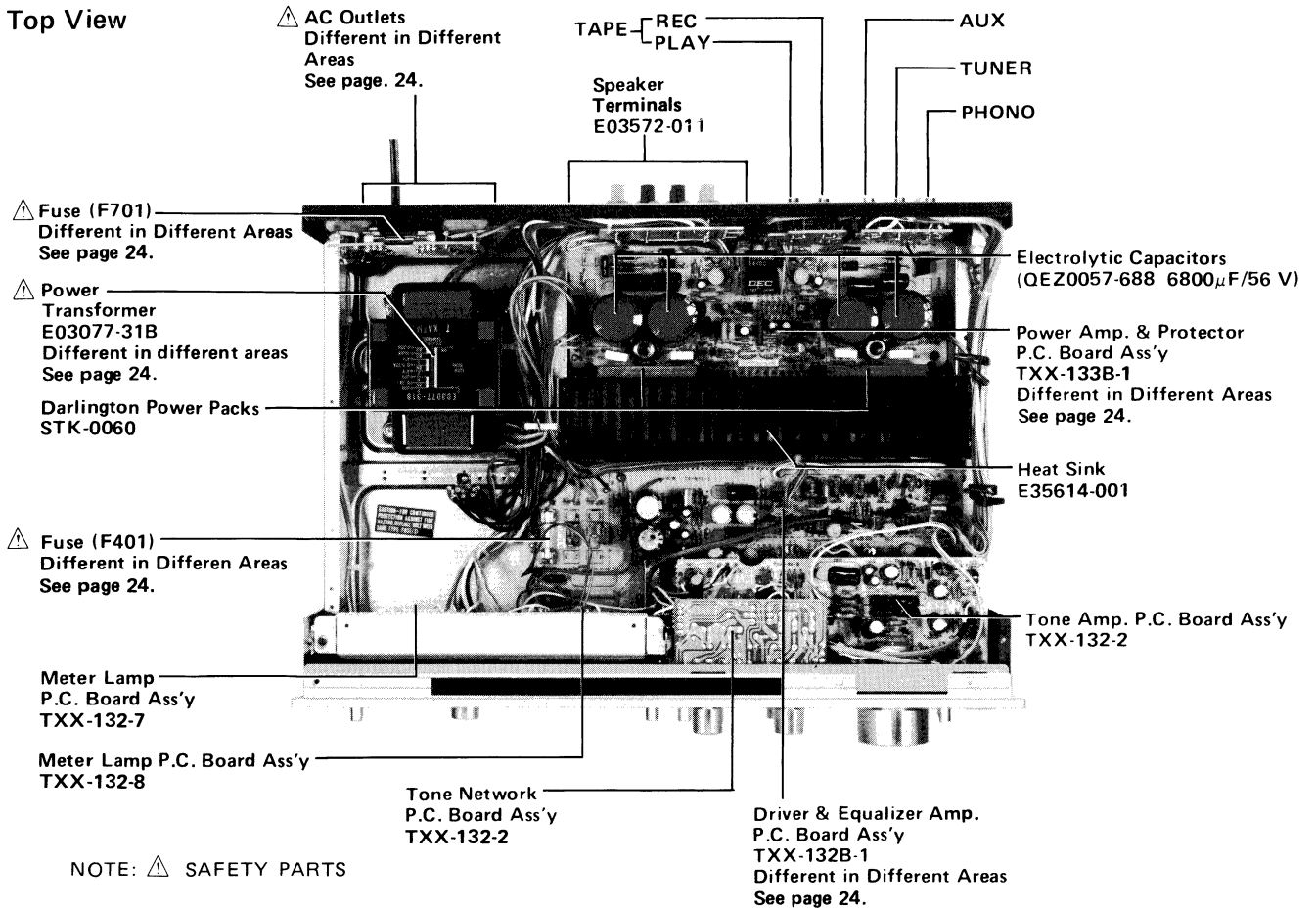


Fig. 5

Bottom View

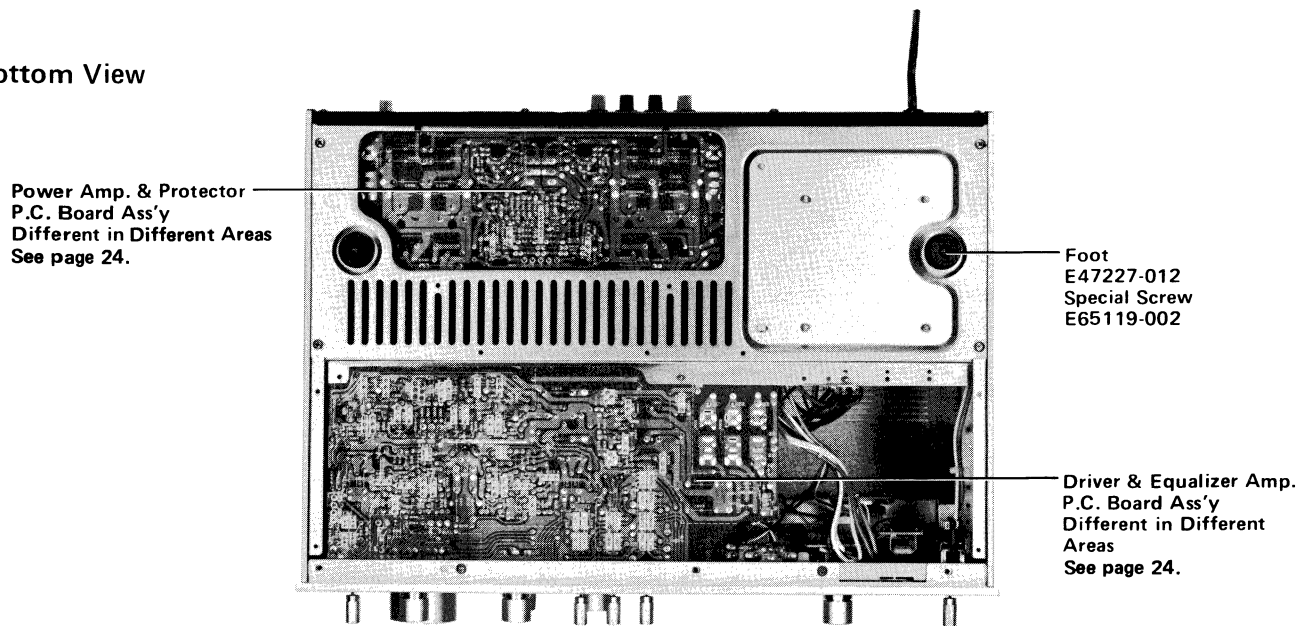


Fig. 6

5. Exploded Views and Part Numbers

5-(1) Front Panel

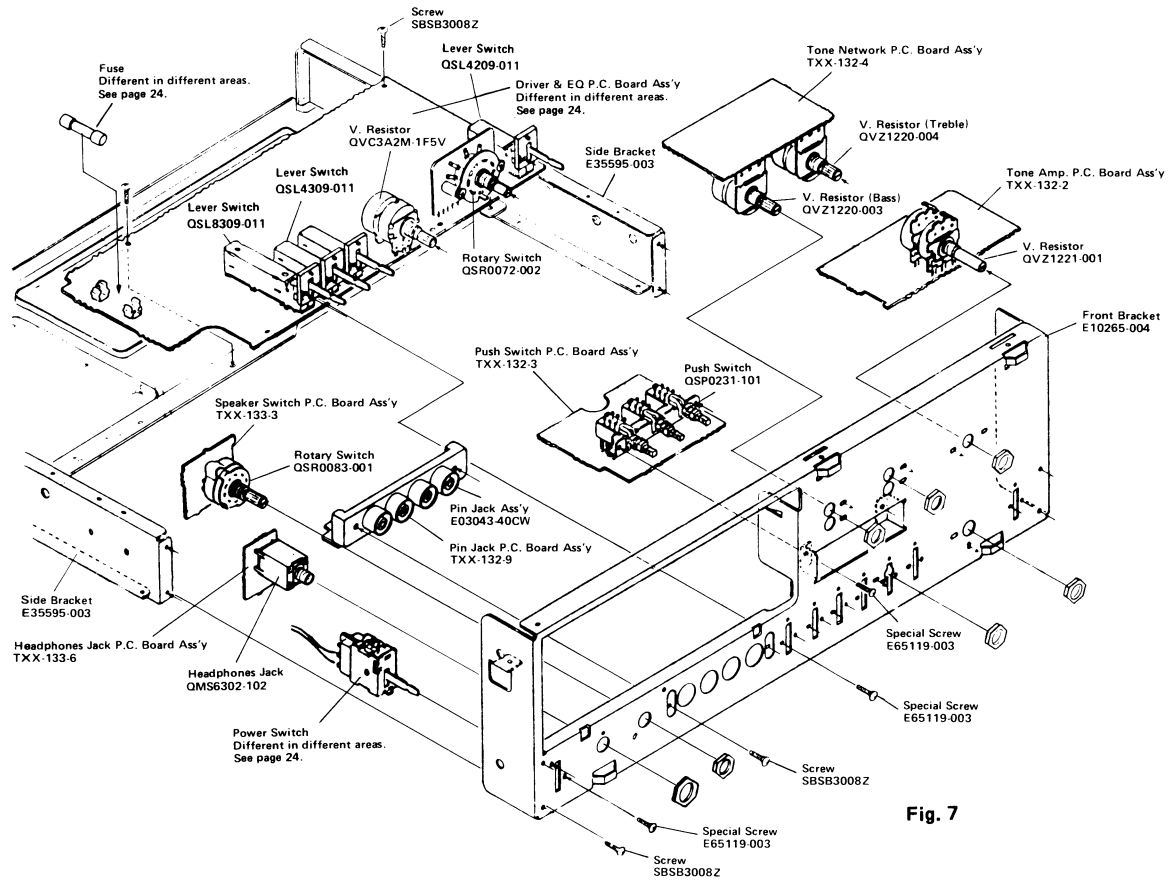


Fig. 7

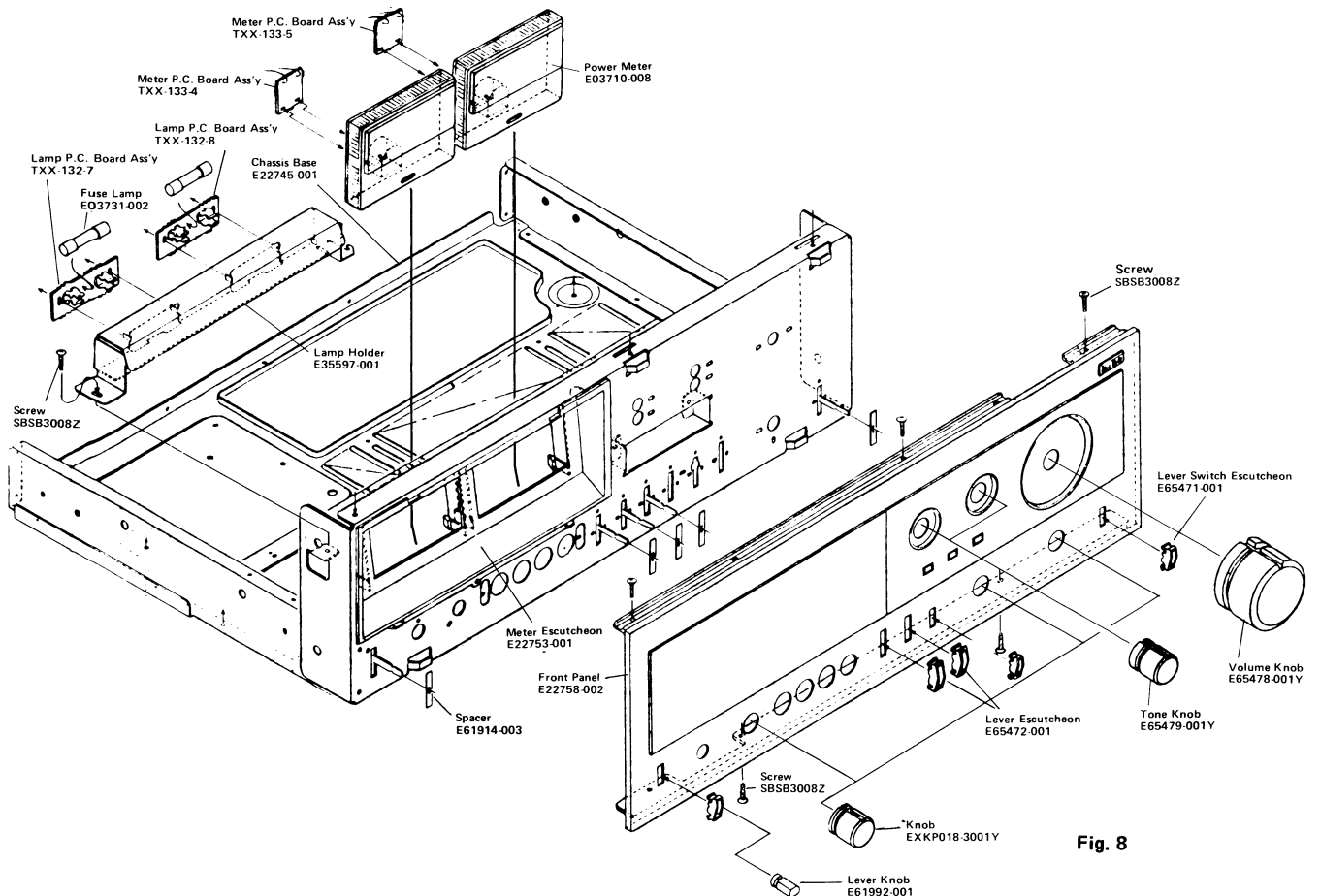


Fig. 8

5-(2) Heat Sink and Power IC's

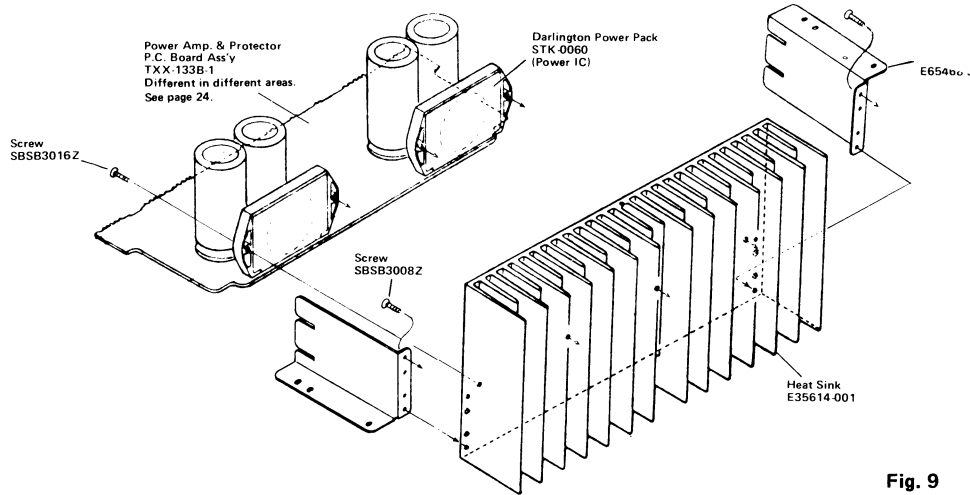


Fig. 9

5-(3) Rear Panel

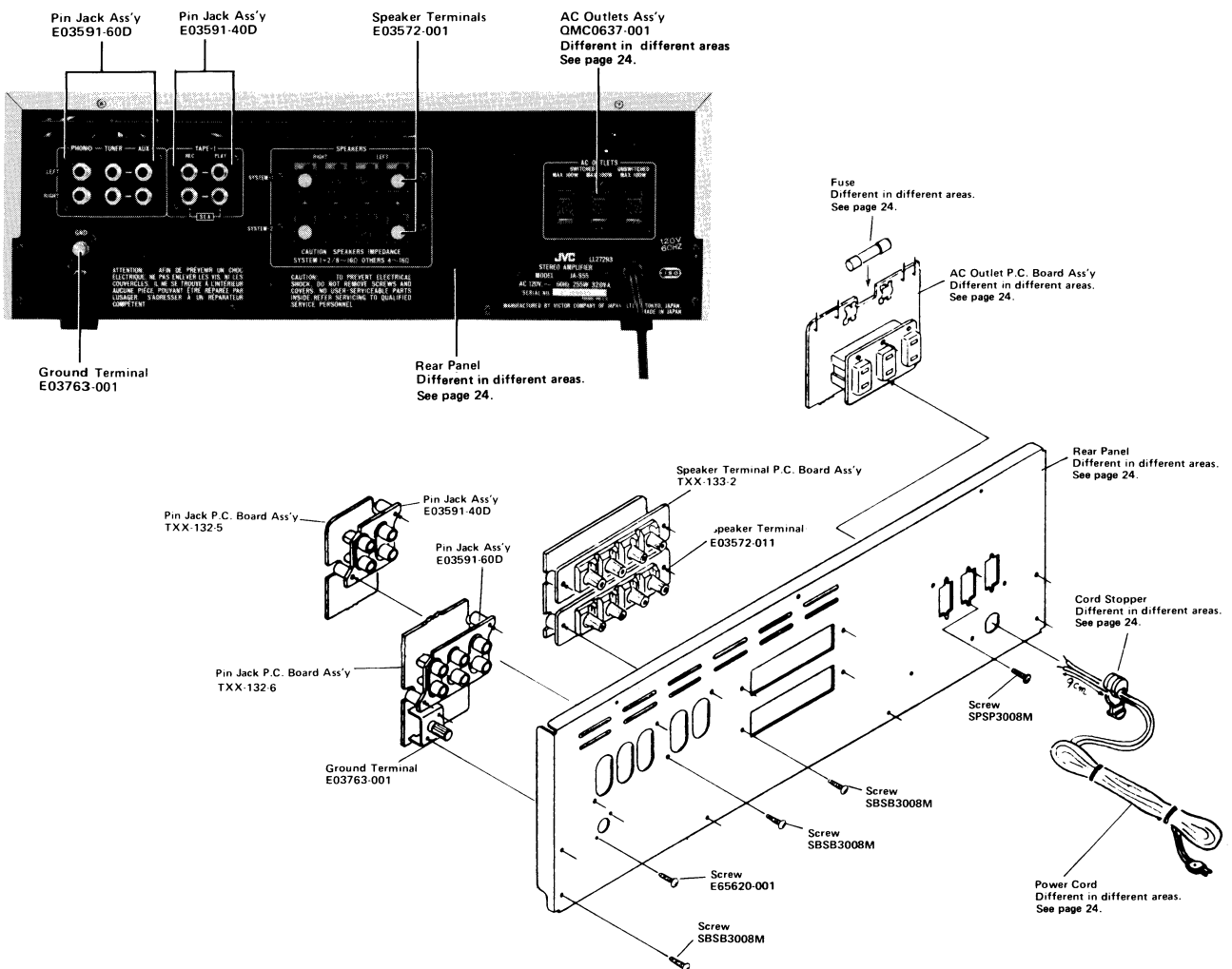
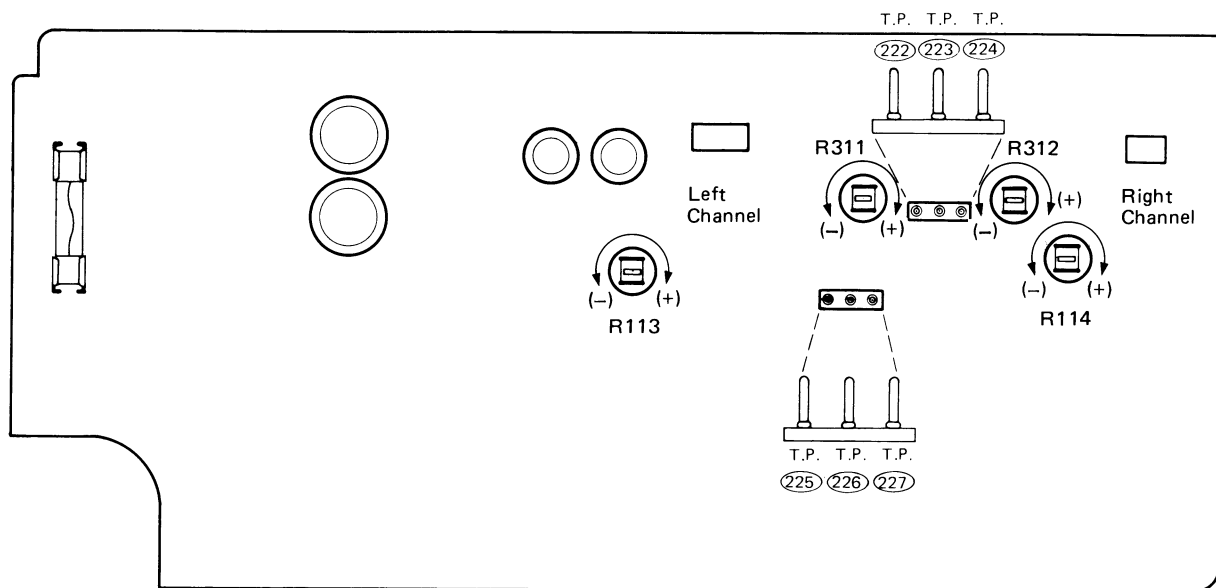


Fig. 10

6. Adjustment Procedures

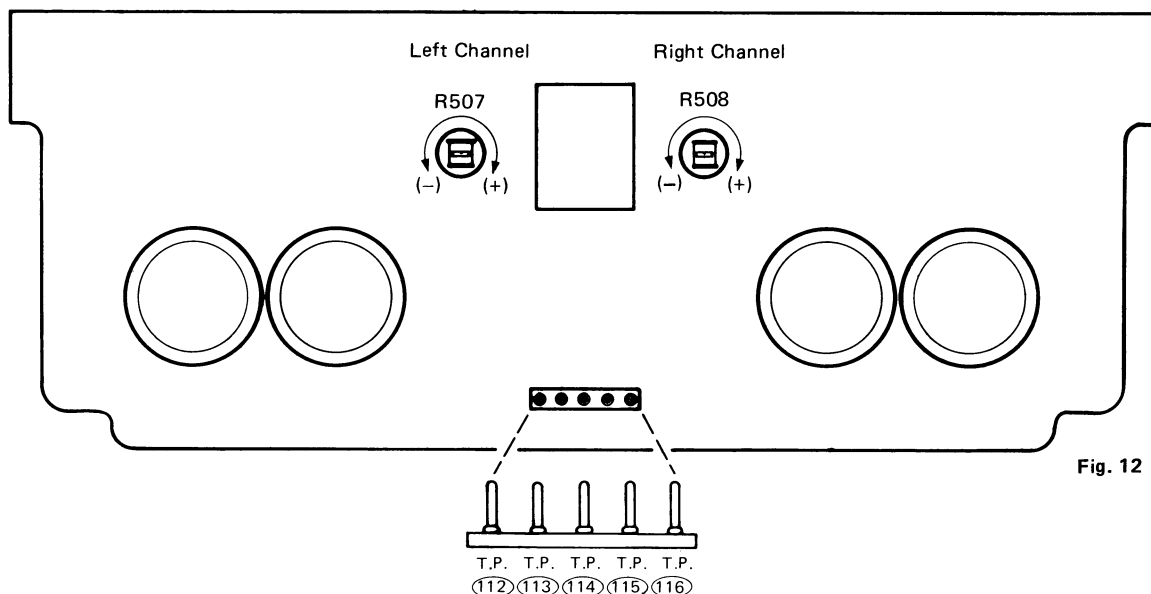
6-(1) Main Amp. Center Voltage

1. Set the semi-fixed resistors R311 (L channel) and R312 (R channel) located on the Driver & Equalizer Amp. P.C. Board (TXX-132-1) to center position before flipping up the power switch to ON.
2. The measurement points for center voltage exist at test points (T.P.) 112 and 114 on the left channel and at 114 and 116 on the right channel. However in the event that relay is normally set to ON, it is possible to measure the center voltage at the speaker terminals.
3. Adjust R311 and R312 so that the voltage reading at the measurement points of the above-mentioned is within ± 10 mV. (In the event of the employment of a tester with which it is difficult to read values under 10 mV, adjust them to about 0 V.)



Driver & Equalizer Amp. P.C. Board (TXX-132-1)

Fig. 11



Power Amp. & Protector P.C. Board (TXX-133-1)

Fig. 12

Adjustment Item	Measurement Points (TXX-133-1)	Adjustment Point (TXX-132-1)	Adjustment Voltage
Power Amplifier Center Voltage Adjustment	L-Channel T.P. 112 – 114 R-Channel T.P. 114 – 116	R311 R312	0 mV (within ± 10 mV)

6-(2) Power Meter

Power Meter Sensitivity Adjustment

For shipment from the factory, sensitivity is adjusted to the most suitable condition. However in the event of a meter replacement or of a severely drifted meter indication, readjust it by the following means:

1. Adjust the output voltage on 8 Ω dummy load so that the reading is 20.0 V (50 W/8 Ω) when injecting a sine wave input of 1 kHz from the terminals AUX.
2. Align the power meter indicator on a value of 50 W (0 dB) by adjusting the semi-fixed resistors R507 (L channel) and R508 (R channel) located on the Power Amp. & Protector P.C. Board (TXX-133-1).

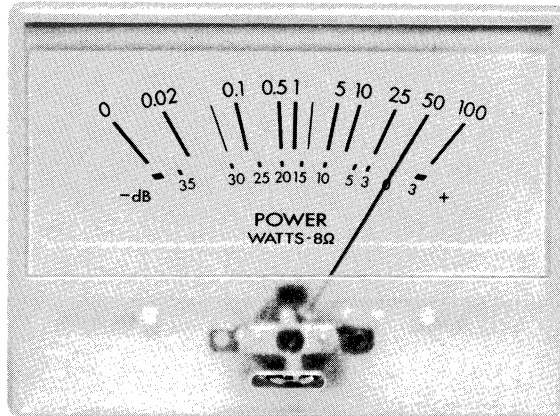


Fig. 13

Power Meter (E03710-008)

6-(3) Equalizer Amp. Center Voltage

Equalizer Amplifier Center Voltage Adjustment

This equalizer amplifier consists of a DC amplifier. Severe deviation from the center voltage will result in a deteriorated tone quality such as a drop in dynamic range, increased distortion etc. Every time a change in the pair of F.E.T. 2SK106W(C) in the first stage is made, adjust this center voltage. (In the event of changing a pair of F.E.T., in order not to wind directly the F.E.T. leads install a pair of F.E.T. so that the F.E.T.'s surface is positioned low and the silicon tube is flush with the P.C. Board.)

1. Set the semi-fixed resistors R113 (L channel) and R114 (R channel) located on the Driver & Equalizer Amp. P.C. Board Txx-132-1) to center position before pressing the power switch ON.
2. The measurement points of center voltage exist at the test points (T.P.) 225 and 226 on the left channel and at 226 and 227 on the right channel.
3. Pay attention to the fact that this adjustment is more or less critical but not unusual because of the high DC gains and of the clear appearance of the variance between the two F.E.T.'s caused by this adjustment.
4. Adjust R113 and R114 so that the voltage reading at the measurement points of the above-mentioned is within ± 1 V.

Adjustment Item	Measurement Point and Adjustment Point (TXX-132-1)	Adjustment Voltage
Equalizer Amplifier Center Voltage Adjustment	L Channel T.P. 225 – 226 R113 R Channel T.P. 226 – 227 R114	0 V (within ± 1 V)

7. Printed Circuit Board Ass'y and Parts List

7-(1) TXX-132 B,C,D or E Driver & Equalizer Amp. P.C. Board Ass'y

Note: The number of TXX-132 varies according to the areas employed. See page 24.

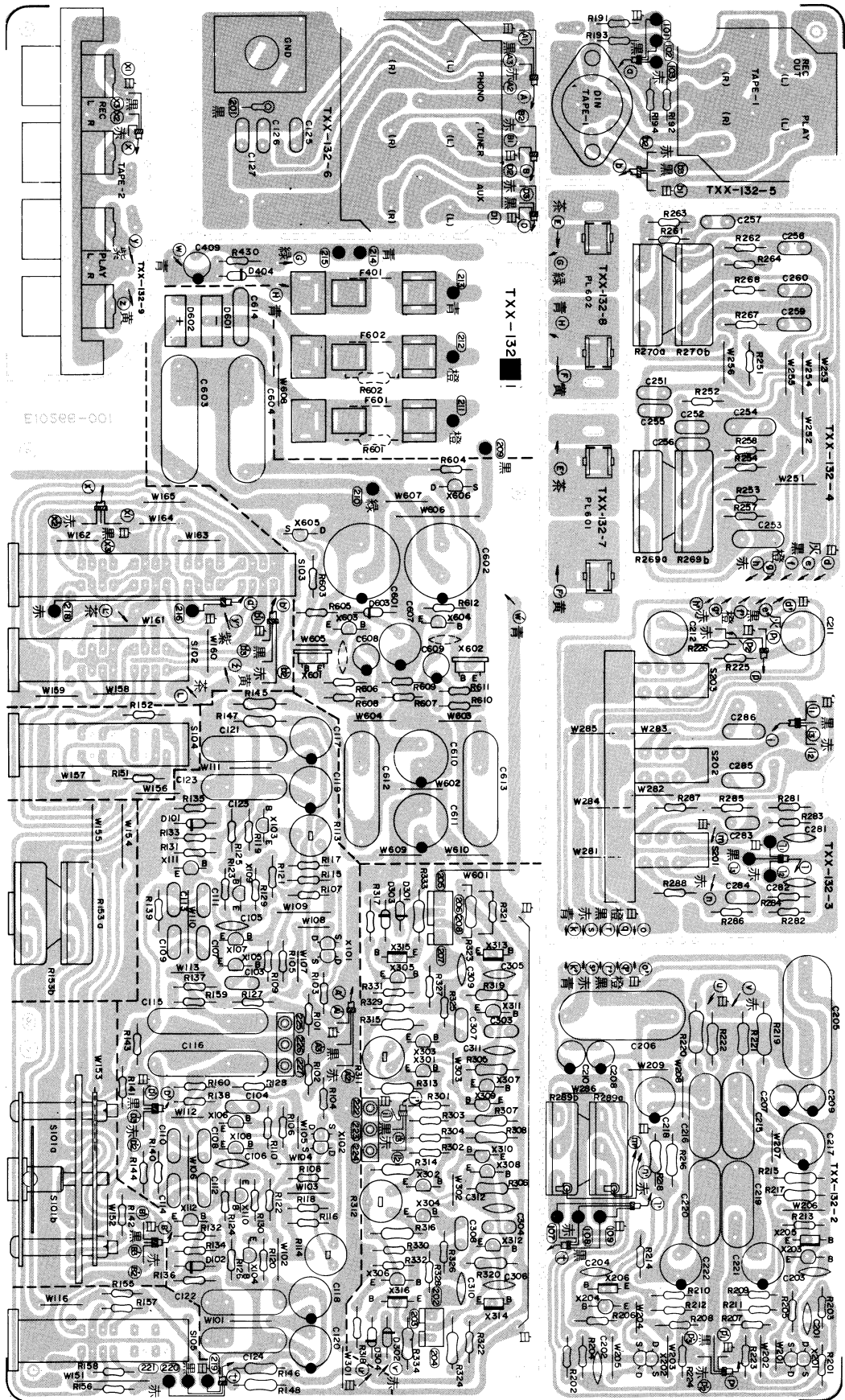
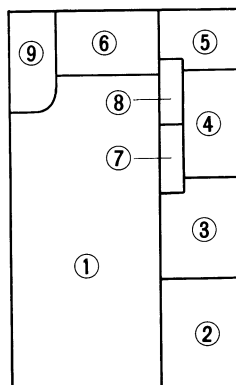


Fig. 14

Locations

- ① TXX-132-1 Driver & Equalizer Amp. P.C. Board Ass'y
- ② TXX-132-2 Tone Amp. P.C. Board Ass'y
- ③ TXX-132-3 Push Switch P.C. Board Ass'y
- ④ TXX-132-4 Tone Network P.C. Board Ass'y
- ⑤ TXX-132-5 TAPE-1 Pin Jack P.C. Board Ass'y
- ⑥ TXX-132-6 Pin Jack P.C. Board Ass'y
- ⑦ TXX-132-7 Meter Lamp P.C. Board Ass'y
- ⑧ TXX-132-8 Meter Lamp P.C. Board Ass'y
- ⑨ TXX-132-9 TAPE-2 Pin Jack P.C. Board Ass'y



Transistors

Item No.	Part Number	Rating		Description	Maker
		Pc	fT		
X101	2SK106W (C)	0.3 W		F.E.T.	Hitachi
X102	2SK106W (C)	"		"	"
X103	2SC1775AV (E, F)	"	200 MHz	Silicon	"
X104	2SC1775AV (E, F)	"	"	"	"
X105	2SC1775AV (E, F)	"	"	"	"
X106	2SC1775AV (E, F)	"	"	"	"
X107	2SC1775AV (E, F)	"	"	"	"
X108	2SC1775AV (E, F)	"	"	"	"
X109	2SB560 (E)	0.75 W	100 MHz	"	Sanyo
X110	2SB560 (E)	"	"	"	"
X111	2SD438 (D, E)	"	"	"	"
X112	2SD438 (D, E)	"	"	"	"
X201	2SK106W (C)	0.3 W		F.E.T.	Hitachi
X202	2SK106W (C)	"		"	"
X203	2SA872AV (D, E)	"	120 MHz	Silicon	"
X204	2SA872AV (D, E)	"	"	"	"
X205	2SC1904 (B, V)	1 W	130 MHz	"	Fujitsu
X206	2SC1904 (B, V)	"	"	"	"
X301	2SC1775AV (F1)	0.3 W	200 MHz	"	Hitachi
X302	2SC1775AV (F1)	"	"	"	"
X303	2SC1775AV (F1)	"	"	"	"
X304	2SC1775AV (F1)	"	"	"	"
X305	2SC1775AV (E, F)	"	"	"	"
X306	2SC1775AV (E, F)	"	"	"	"
X307	2SA872AV (D, E)	"	120 MHz	"	"
X308	2SA872AV (D, E)	"	"	"	"
X309	2SA872AV (D, E)	"	"	"	"
X310	2SA872AV (D, E)	"	"	"	"
X311	2SA872AV (D, E)	"	"	"	"
X312	2SA872AV (D, E)	"	"	"	"
X313	2SC1904 (B, V)	1 W	130 MHz	"	Fujitsu
X314	2SC1904 (B, V)	"	"	"	"
X315	2SC1904 (B, V)	"	"	"	"
X316	2SC1904 (B, V)	"	"	"	"
X601	2SD313V (E)	30 W	8 MHz	"	Sanyo
X602	2SB507V (E)	"	"	"	"
X603	2SC1775AV (E, F)	0.3 W	200 MHz	"	Hitachi
X604	2SA872AV (D, E)	0.3 W	120 MHz	"	"
X605	2SK68A (M)	0.25 W		F.E.T.	NEC
X606	2SK68A (M)	"		"	"

Diodes

Item No.	Part Number	Rating	Description	Maker
D101	1S2473		Silicon	Toyo Dengu
D102	1S2473		"	"
D301	1S2473		"	"
D302	1S2473		"	"
D303	1S2473		"	"
D304	1S2473		"	"
D404	1S2473		"	"
D601	S2VC20R		"	Shindengen
D602	S2VC20		"	"
D603	XZ-132		"	JRC

Capacitors

Item No.	Part Number	Rating		Description
C103	QFP32AJ-471	470 pF	100 V	Polypropylene
C104	QFP32AJ-471	"	"	"
C105	QCS31HJ-470	47 pF	50 V	Ceramic
C106	QCS31HJ-470	"	"	"
C107	QFP32AJ-432	4 300 pF	100 V	Polypropylene
C108	QFP32AJ-432	"	"	"
C109	QFP32AJ-622	6 200 pF	"	"
C110	QFP32AJ-622	"	"	"
C111	QFP32AJ-271	270 pF	"	"
C112	QFP32AJ-271	"	"	"
C113	QFP32AJ-272	2 700 pF	"	"
C114	QFP32AJ-272	"	"	"
C115	QFH42AK-225	2.2 μ F	"	Metallized Film
C116	QFH42AK-225	"	"	"
C117	QEW51VA-107	100 μ F	35 V	Electrolytic
C118	QEW51VA-107	"	"	"
C119	QEW51VA-107	"	"	"
C120	QEW51VA-107	"	"	"
C121	QFH42AK-474	0.47 μ F	100 V	Metallized Film
C122	QFH42AK-474	"	"	"
C123	QFH42AK-474	"	"	"
C124	QFH42AK-474	"	"	"
C125	QCS31HJ-270	27 pF	50 V	Ceramic
C126	QCS31HJ-270	"	"	"
C127	QFP32AJ-103	0.01 μ F	100 V	Polypropylene
C201	QCS31HJ-390	39 pF	50 V	Ceramic
C202	QCS31HJ-390	"	"	"
C203	QCS31HJ-390	"	"	"
C204	QCS31HJ-390	"	"	"
C205	QFH42AK-225	2.2 μ F	100 V	Metallized Film
C206	QFH42AK-225	"	"	"
C207	QEW51HA-475	4.7 μ F	50 V	Electrolytic
C208	QEW51HA-475	"	"	"
C209	QEW51HA-475	"	"	"
C210	QEW51HA-475	"	"	"
C211	QEZ0046-226	22 μ F	"	"
C212	QEZ0046-226	"	"	"
C215	QFH42AK-474	0.47 μ F	100 V	Metallized Film

Capacitors

Item No.	Part Number	Rating		Description
C216	QFH42AK-474	0.47 μ F	100 V	Metallized Film
C217	QEW51VA-107	100 μ F	35 V	Electrolytic
C218	QEW51VA-107	"	"	"
C219	QFH42AK-474	0.47 μ F	100 V	Metallized Film
C220	QFH42AK-474	"	"	"
C221	QEW51VA-107	100 μ F	35 V	Electrolytic
C222	QEW51VA-107	"	"	"
C251	QFM31HJ-563	0.056 μ F	50 V	Mylar
C252	QFM31HJ-563	"	"	"
C253	QFM31HJ-474	0.47 μ F	"	"
C254	QFM31HJ-474	"	"	"
C255	QFM31HJ-822	8 200 pF	"	"
C256	QFM31HJ-822	"	"	"
C257	QFM31HJ-153	0.015 μ F	50 V	Mylar
C258	QFM31HJ-153	"	"	"
C259	QFM31HJ-104	0.1 μ F	"	"
C260	QFM31HJ-104	"	"	"
C281	QCS31HJ-331	330 pF	"	Ceramic
C282	QCS31HJ-331	"	"	"
C283	QFM31HJ-273	0.027 μ F	"	Mylar
C284	QFM31HJ-273	"	"	"
C285	QFM31HJ-334	0.33 μ F	"	"
C286	QFM31HJ-334	"	"	"
C303	QFP32AJ-102	1 000 pF	100 V	Polypropylene
C304	QFP32AJ-102	"	"	"
C305	QFP32AJ-101	100 pF	50 V	"
C306	QFP32AJ-101	"	"	"
C307	QFZ0075-683	0.068 μ F	"	Metallized Film
C308	QFZ0075-683	"	"	"
C311	QCS31HJ-470	47 pF	"	Ceramic
C312	QCS31HJ-470	"	"	"
C409	QEW51EA-475	4.7 μ F	25 V	Electrolytic
C601	QEW51JA-477	470 μ F	63 V	"
C602	QEW51JA-477	"	"	"
C607	QEW51CA-476	47 μ F	16 V	"
C608	QEW51HA-475	4.7 μ F	50 V	"
C609	QEW51HA-475	"	"	"
C610	QEW51HA-107	100 μ F	"	"
C611	QEW51HA-107	"	"	"
C612	QFH42AK-225	2.2 μ F	100 V	Metallized Film
C613	QFH42AK-225	"	"	"
C614	QFZ0072-223	0.022 μ F	630 V	"

Resistors

Item No.	Part Number	Rating		Description
R101	QRD141J-473SL	47 kΩ	1/4 W	Carbon
R102	QRD141J-473SL	"	"	"
R103	QRD141J-5R6S	5.6 Ω	"	"
R104	QRD141J-5R6S	"	"	"
R105	QRD141J-153SL	15 kΩ	"	"
R106	QRD141J-153SL	"	"	"
R107	QRD141J-153SL	"	"	"
R108	QRD141J-153SL	"	"	"
R109	QRD141J-151S	150 Ω	"	"
R110	QRD141J-151S	"	"	"
R113	QVP4AOB-221	220 Ω	0.15 W	Variable (Carbon)
R114	QVP4AOB-221	"	"	"
R115	QRD141J-101S	100 Ω	1/4 w	Carbon
R116	QRD141J-101S	"	"	"
R117	QRD141J-101S	"	"	"
R118	QRD141J-101S	"	"	"
R119	QRD141J-822SL	8.2 kΩ	"	"
R120	QRD141J-822SL	"	"	"
R121	QRD141J-681S	680 Ω	"	"
R122	QRD141J-681S	"	"	"
R123	QRD141J-103SL	10 kΩ	"	"
R124	QRD141J-103SL	"	"	"
R125	QRD141J-103SL	"	"	"
R126	QRD141J-103SL	"	"	"
R127	QRD141J-361S	360 Ω	"	"
R128	QRD141J-361S	"	"	"
R129	QRD141J-2R2S	2.2 Ω	"	"
R130	QRD141J-2R2S	"	"	"
R131	QRD141J-101S	100 Ω	"	"
R132	QRD141J-101S	"	"	"
R133	QRD141J-681S	680 Ω	"	"
R134	QRD141J-681S	"	"	"
R135	QRD141J-183SL	18 kΩ	"	"
R136	QRD141J-183SL	"	"	"
R137	QRD141J-274SL	270 kΩ	"	"
R138	QRD141J-274SL	"	"	"
R139	QRD141J-223SL	22 kΩ	"	"
R140	QRD141J-223SL	"	"	"
R141	QRD141J-101S	100 Ω	"	"
R142	QRD141J-101S	"	"	"
R143	QRD141J-224SL	220 kΩ	"	"
R144	QRD141J-224SL	"	"	"
R145	QRD126J-821	820 Ω	1/2 W	"
R146	QRD126J-821	"	"	"
R147	QRD126J-821	"	"	"
R148	QRD126J-821	"	"	"
R151	QRD141J-562S	5.6 kΩ	1/4 W	"
R152	QRD141J-562S	"	"	"
R153	QVC3A2M-1F5V	100 kΩ	1/2 W	Variable (Balancer)
R155	QRD141J-823S	82 kΩ	1/4 W	Carbon
R156	QRD141J-823S	"	"	"
R157	QRD141J-103S	10 kΩ	"	"
R158	QRD141J-103S	"	"	"
R159	QRD141J-682	6.8 kΩ	"	"
R160	QRD141J-682	"	"	"
R191	QRD141J-334S	330 kΩ	1/4 W	"
R192	QRD141J-334S	"	"	"
R193	QRD141J-104S	100 kΩ	"	"
R194	QRD141J-104S	"	"	"
R201	QRD141J-151S	150 Ω	"	"

Resistors

Item No.	Part Number	Rating		Description
R202	QRD141J-151S	150 Ω	1/4 W	Carbon
R203	QRD141J-225S	2.2 M Ω	"	"
R204	QRD141J-225S	"	"	"
R205	QRD141J-821S	820 Ω	"	"
R206	QRD141J-821S	"	"	"
R207	QRD141J-183S	18 k Ω	"	"
R208	QRD141J-183S	"	"	"
R209	QRD141J-274S	270 k Ω	"	"
R210	QRD141J-274S	"	"	"
R211	QRD141J-183S	18 k Ω	"	"
R212	QRD141J-183S	"	"	"
R213	QRD141J-153S	15 k Ω	"	"
R214	QRD141J-153S	"	"	"
R215	QRD126J-682	6.8 k Ω	1/2 W	"
R216	QRD126J-682	"	"	"
R217	QRD126J-682	"	"	"
R218	QRD126J-682	"	"	"
R219	QRG017J-222S	2.2 k Ω	1 W	Oxide Metal Film
R220	QRG017J-222S	"	"	"
R221	QRD126J-821	820 Ω	1/2 W	Carbon
R222	QRD126J-821	"	"	"
R223	QRD141J-272S	2.7 k Ω	1/4 W	"
R224	QRD141J-272S	"	"	"
R225	QRD141J-333S	33 k Ω	"	"
R226	QRD141J-333S	"	"	"
R251	QRD141J-562S	5.6 k Ω	"	"
R252	QRD141J-562S	"	"	"
R253	QRD141J-821S	820 Ω	"	"
R254	QRD141J-821S	"	"	"
R257	QRD141J-823S	82 k Ω	"	"
R258	QRD141J-823S	"	"	"
R261	QRD141J-152S	1.5 k Ω	"	"
R262	QRD141J-152S	"	"	"
R263	QRD141J-224S	220 k Ω	"	"
R264	QRD141J-224S	"	"	"
R267	QRD141J-271S	270 Ω	"	"
R268	QRD141J-271S	"	"	"
R269	QVZ1220-003	100 k Ω	1/2 W	Volume (Tone; Bass)
R270	QVZ1220-004	"	"	" (Tone; Treble)
R281	QRD141J-105S	1 M Ω	1/4 W	Carbon
R282	QRD141J-105S	"	"	"
R283	QRD141J-333S	33 k Ω	"	"
R284	QRD141J-333S	"	"	"
R287	QRD141J-203S	20 k Ω	"	"
R288	QRD141J-203S	"	"	"
R289	QVZ1221-001	100 k Ω	1/2 W	Volume
R301	QRD141J-470S	47 Ω	1/4 W	"
R302	QRD141J-470S	"	"	"
E303	QRD141J-303S	30 k Ω	"	"
R304	QRD141J-303S	"	"	"
R305	QRD126J-101	100 Ω	1/2 W	"
R306	QRD126J-101	"	"	"
R307	QRD126J-101	"	"	"
R308	QRD126J-101	"	"	"
R311	QVP4AOB-101	"	0.15 W	Variable (Carbon)
R312	QVP4AOB-101	"	"	"
R313	QRD126J-101	"	1/2 W	Carbon
R314	QRD126J-101	"	"	"
R315	QRD126J-101	"	"	"

Resistors

Item No.	Part Number	Rating		Description
R316	QRD126J-101	100 Ω	1/2 W	Carbon
R317	QRD141J-391S	390 Ω	1/4 W	"
R318	QRD141J-391S	"	"	"
R319	QRD126J-391	"	1/2 W	"
R320	QRD126J-391	"	"	"
R321	QRD149J-330S	33 Ω	1/4 W	"
R322	QRD149J-330S	"	"	"
R323	QRD126J-391	390 Ω	1/2 W	"
R324	QRD126J-391	"	"	"
R325	QRD141J-303S	30 k Ω	1/4 W	"
R326	QRD141J-303S	"	"	"
R327	QRD141J-113S	11 k Ω	"	"
R328	QRD141J-113S	"	"	"
R329	QRD149-681S	680 Ω	"	"
R330	QRD149-681S	"	"	"
R331	QRD141J-273S	27 k Ω	"	"
R332	QRD141J-273S	"	"	"
R333	QRD126J-101	100 Ω	1/2 W	"
R334	QRD126J-101	"	"	"
R430	QRD141J-223S	22 k Ω	1/4 W	"
R601	QRD126J-3R3	3.3 Ω	1/2 W	"
R602	QRD126J-3R3	"	"	"
R603	QRD141J-680S	68 Ω	1/4 W	"
R604	QRD141J-270S	27 Ω	"	"
R605	QRD141J-153S	15 k Ω	"	"
R606	QRD141J-564S	560 k Ω	"	"
R607	QRD141J-153S	15 k Ω	"	"
R608	QRD141J-333S	33 k Ω	"	"
R609	QRD141J-563S	56 k Ω	"	"
R610	QRD141J-135S	1.3 M Ω	"	"
R611	QRD141J-563S	56 k Ω	"	"
R612	QRD141J-432S	4.3 k Ω	"	"

Others

Item No.	Part Number	Rating	Description
S101 S102	E10266-002		Printed Circuit Board
	E03628-3UD		3 Pin Plug (Test Points)
	E45524-001		Contact Clip for Pilot Lamp
	QSR0072-002		Rotary Switch (Source Selector)
	QSL4309-011		Lever Switch (Tape Monitor)
S103	QSL8309-011		Lever Switch (Tape Dubbing)
S104	QSL4209-011		Lever Switch (Muting)
S105	QSL4209-011		" (Mode)
	E03732-003A		3 Pin Plug
	E03732-004A		4 Pin Plug
	QSP0231-101		S201 – S203 Push Switch
	E03043-40CW		Pin Jack Ass'y (Tape-2)
	E03591-40D		Pin Jack Ass'y (Tape-1)
	E03591-60D		Pin Jack Ass'y (Phono, Tuner, Aux)
	E03623-002		DIN Socket (Tape-1) except for (J), (C) Type
	E03763-001		Phono Ground Terminal

7-(2) TXX-133 B,C,D or E Power Amp. & Protector P.C. Board Ass'y

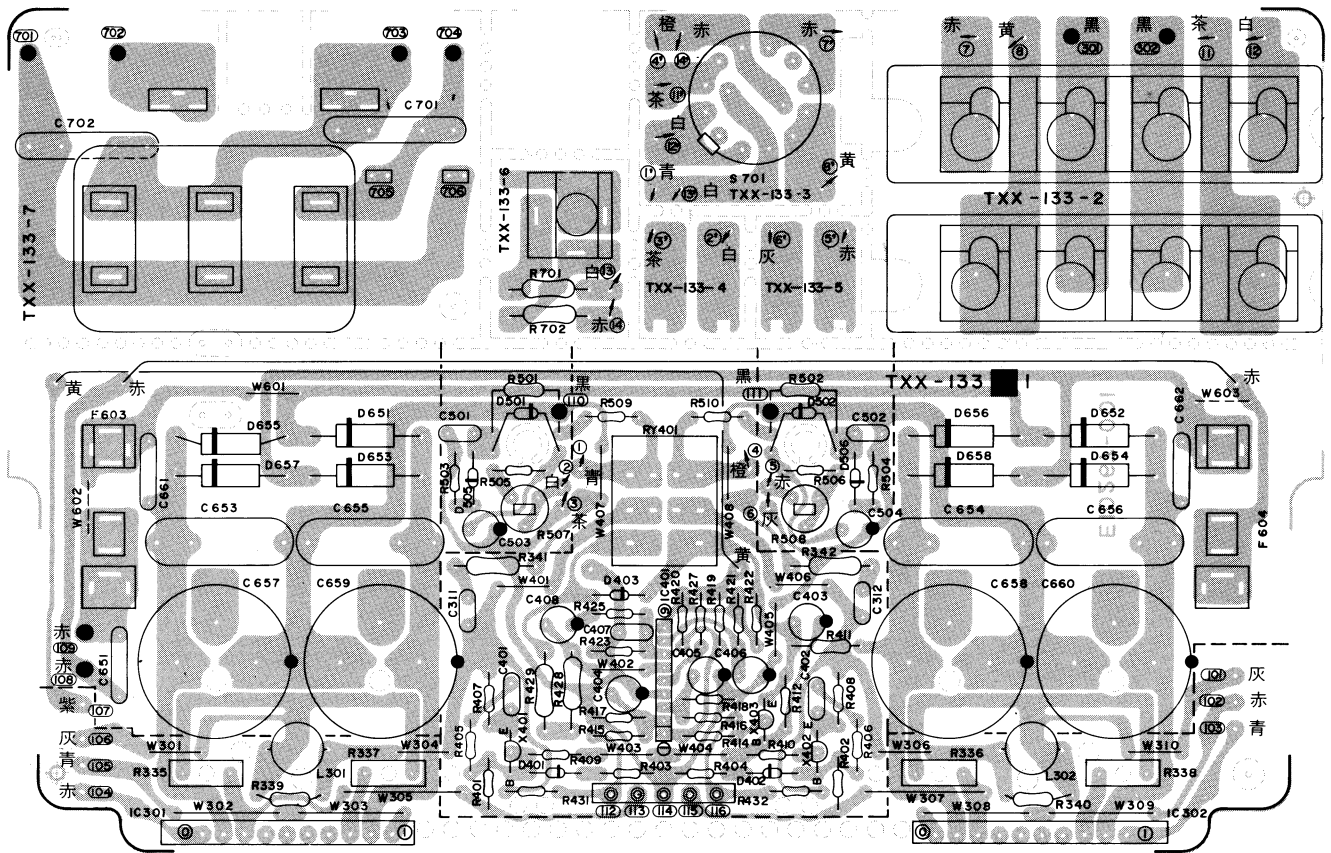
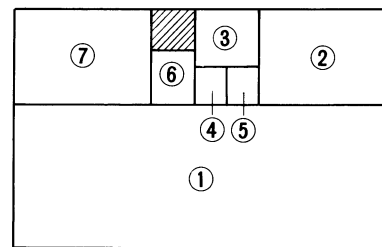


Fig. 15

Locations

- ① TXX-133□-1 Power Amp. and Protector P.C. Board Ass'y
- ② TXX-133-2 Speaker Switch P.C. Board Ass'y
- ③ TXX-133-3 Speaker Terminal P.C. Board Ass'y
- ④ TXX-133-4 Power Meter P.C. Board Ass'y
- ⑤ TXX-133-5 Power Meter P.C. Board Ass'y
- ⑥ TXX-133-6 Headphones Jack P.C. Board Ass'y
- ⑦ TXX-133-7 AC Outlet P.C. Board Ass'y



Note: The number of TXX-133-1 varies according to the area employed. See table below.

P.C. Board Ass'y No.	Set Type Name	Designated Area
TXX-133B-1	(J)	U.S.A.
TXX-133C-1	(C)	Canada
TXX-133D-1	(U), (P), (F)	Military Market and Other Countries
TXX-133E-1	(A), (E), (BS)	Continental Europe and U.K.

Transistors

Item No.	Part Number	Rating		Description	Maker
		Pc	ft		
X401	2SC1775AV (E, F)	0.3 W	200 MHz	Silicon	Hitachi
X402	2SC1775AV (E, F)	"	"	"	"
X403	2SA872AV (D, E)	"	120 MHz	"	"

Integrated Circuits

Item No.	Part Number	Rating		Description	Maker
IC301	STK-0060	Pc		Darlington Power Pack IC " Protector I.C.	Sankyo
IC302	STK-0060				"
IC401	TA7317P	0.5 W			Toshiba

Diodes

Item No.	Part Number	Rating		Description	Maker
D401	1S2473			Silicon	Toyo Dengu
D402	1S2473			"	"
D403	1S2473			"	"
D501	1S188FM			Germanium	Sanyo
D502	1S188FM			"	"
D505	1S2076-32			Silicon	Hitachi
D506	1S2076-32			"	"
D651	30D2FA-S			"	Japan Inter- national Rectifier
D652	30D2FA-S			"	"
D653	30D2FA-S			"	"
D654	30D2FA-S			"	"
D655	30D2FA-S			"	"
D656	30D2FA-S			"	"
D657	30D2FA-S			"	"
D658	30D2FA-S			"	"

Coils

Item No.	Part Number	Rating		Description
L301	E04059-2R7	2.7 μ H		Choke Coil
L302	E04059-2R7	"		"

Capacitors

Item No.	Part Number	Rating		Description
C311	QFZ0074-104	0.1 μ F	50 V	Metallized Film
C312	QFZ0074-104	"	"	"
C401	QFM31HK-104	"	"	"
C402	QFM31HK-104	"	"	"
C403	QEW51CA-226	22 μ F	16 V	Electrolytic

Capacitors

Item No.	Part Number	Rating		Description
C404	QEW51AA-476	47 μ F	10 V	Electrolytic
C405	QEW51AA-476	"	"	"
C406	QEW51CA-226	22 μ F	16 V	"
C407	QFM31HK-153	0.015 μ F	50 V	Mylar
C408	QEW51HA-474	0.47 μ F	"	Electrolytic
C501	QFM31HK-223	0.022 μ F	"	Mylar
C502	QFM31HK-223	"	"	"
C503	QEW51AA-476	47 μ F	10 V	Electrolytic
C504	QEW51AA-476	"	"	"
C651	QFZ0072-223	0.022 μ F	630 V	Metallized Film
C653	QFH42EK-105	1 μ F	250 V	"
C654	QFH42EK-105	"	"	"
C655	QFH42EK-105	"	"	"
C656	QFH42EK-105	"	"	"
C657	QEZ0057-688	6,800 μ F	56 V	Electrolytic
C658	QEZ0057-688	"	"	"
C659	QEZ0057-688	"	"	"
C660	QEZ0057-688	"	"	"
C661	QFZ0072-223	0.022 μ F	630 V	Metallized Film
C662	QFZ0072-223	"	"	"
C701	QCZ9013-103	0.01 μ F	AC125 V	Ceramic (J), (C) Type only
C702	QCZ9013-103	"	"	"

Resistors

Item No.	Part Number	Rating		Description
R335	ORM035K-R47S	0.47 Ω	3 W	Metal Plate
R336	ORM035K-R47S	"	"	"
R337	ORM035K-R47S	"	"	"
R338	ORM035K-R47S	"	"	"
R339	QRX129J-4R7	4.7 Ω	1/2 W	Oxide Metal Film
R340	QRX129J-4R7	"	"	"
R341	QRX017J-6R8S	6.8 Ω	1 W	"
R342	QRX017J-6R8S	"	"	"
R401	QRD146J-681S	680 Ω	1/4 W	Carbon
R402	QRD146J-681S	"	"	"
R403	QRD141J-562S	5.6 k Ω	"	"
R404	QRD141J-562S	"	"	"
R405	QRD141J-101S	100 Ω	"	"
R406	QRD141J-101S	"	"	"
R407	QRD149J-471S	470 Ω	"	"
R408	QRD149J-471S	"	"	"
R409	QRD141J-123S	23 k Ω	"	"
R410	QRD141J-123S	"	"	"
R411	QRG129J-270	27 Ω	1/2 W	Oxide Metal Film
R412	QRD141J-103S	10 k Ω	1/4 W	Carbon
R414	QRD141J-473S	47 k Ω	"	"
R415	QRD141J-563S	56 k Ω	"	"
R416	QRD141J-563S	"	"	"
R417	QRD141J-273S	27 k Ω	"	"
R418	QRD141J-273S	"	"	"

Resistors

Item No.	Part Number	Rating		Description
R419	QRD141J-124S	120 k Ω	1/4 W	Carbon
R420	QRD141J-683S	68 k Ω	"	"
R421	QRD141J-204S	200 k Ω	"	"
R422	QRD141J-183S	18 k Ω	"	"
R423	QRD141J-333S	33 K Ω	"	"
R425	QRD141J-563S	56 k Ω	"	"
R427	QRD141J-332S	3.3 k Ω	"	"
R428	QRG017J-331S	330 Ω	1 W	Oxide Metal Film
R429	QRG017J-331S	"	"	"
R431	QRD149J-680S	68 Ω	1/4 W	Carbon
R432	QRD149J-680S	"	"	"
R501	QRG129J-821	820 Ω	1/2 W	Oxide Metal Film
R502	QRG129J-821	"	"	"
R503	QRD141J-220S	22 Ω	1/4 W	Carbon
R504	QRD141J-220S	"	"	"
R505	QRD141J-681S	680 Ω	"	"
R506	QRD141J-681S	"	"	"
R507	QVP4AOB-222	2.2 k Ω	0.15 W	Variable (Carbon)
R508	QVP4AOB-222	"	"	"
R509	QRD149J-680S	68 Ω	1/4 W	Carbon
R510	QRD149J-680S	"	"	"
R701	QRG017J-221S	220 Ω	1 W	Oxide Metal Film
R702	QRG017J-221S	"	"	"

Others

Item No.	Part Number	Rating	Description
	E10267-002 E03572-011 E03628-5UD E03675-003 E03733-0401		Printed Circuit Board Speaker Terminal 5 Pin Plug (Test Points) Fuse Clip (J), (C) Type Only 4 Pin Socket Wire Ass'y
	E03733-0306 E43727-001 E45524-001 E48965-002 QMC0637-001		3 Pin Socket Wire Ass'y Terminal for AC Wiring Contact Clip for Fuse (C), (U), (P), (F) Type Only " Other than (J), (C), (U), (P), (F) Type AC Outlet Ass'y (J), (C) Type Only
S701 RY401	QMS6302-102 OSR0083-001 ESK6D24-211		Headphones Jack Rorary Switch (Speaker Selector) Relay Switch

Notes:

- (C) : Canada
- (F) : Military Market in Europe
- (J) : U.S.A.
- (P) : Military Market in Asia
- (U) : Other Countries

7-(3) TPS-194A AC Outlet & Voltage Selector P.C. Board Ass'y

[Employed only on (U), (P) and (F) types, replacing the TXX-133-7 of (J) and (C) types]

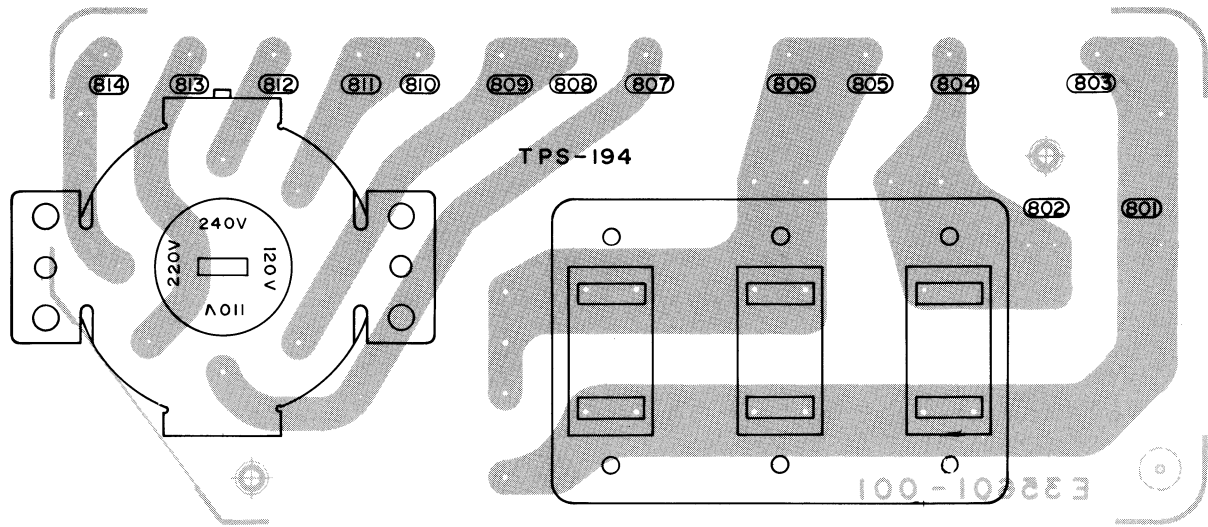


Fig. 16

Capacitors

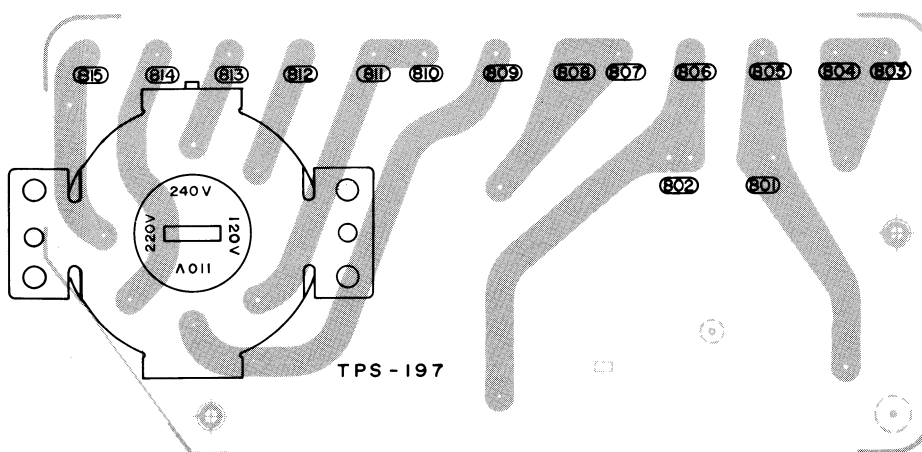
Item No.	Part Number	Rating	Description
C801	QFH53AM-103M	0.01 μ F	Switch By-pass
C802	"	"	Line to Line

Others

Item No.	Part Number	Rating	Description
	QMC0637-002		AC Outlet Ass'y
	QSR0085-001		Line Voltage Selector
			Selectable 110 V, 120 V, 220 V, 240 V

7-(4) TPS-197A Line Voltage Selector P.C. Board Ass'y

[Employed only on (E), (A) and (BS) types replacing the TXX-133-7 of (J) and (C) types]



Notes:

- (A) : Australia
- (BS) : U.K.
- (C) : Canada
- (E) : Continental Europe
- (F) : Military Market in Europe
- (J) : U.S.A.
- (P) : Military Market in Asia
- (U) : Other Countries

Fig. 17

Other

Item No.	Part Number	Rating	Description
	QSR0085-001		Line Voltage Selector
			Selectable 110 V, 120 V, 220 V, 240 V

8. Packing Materials and Part Numbers

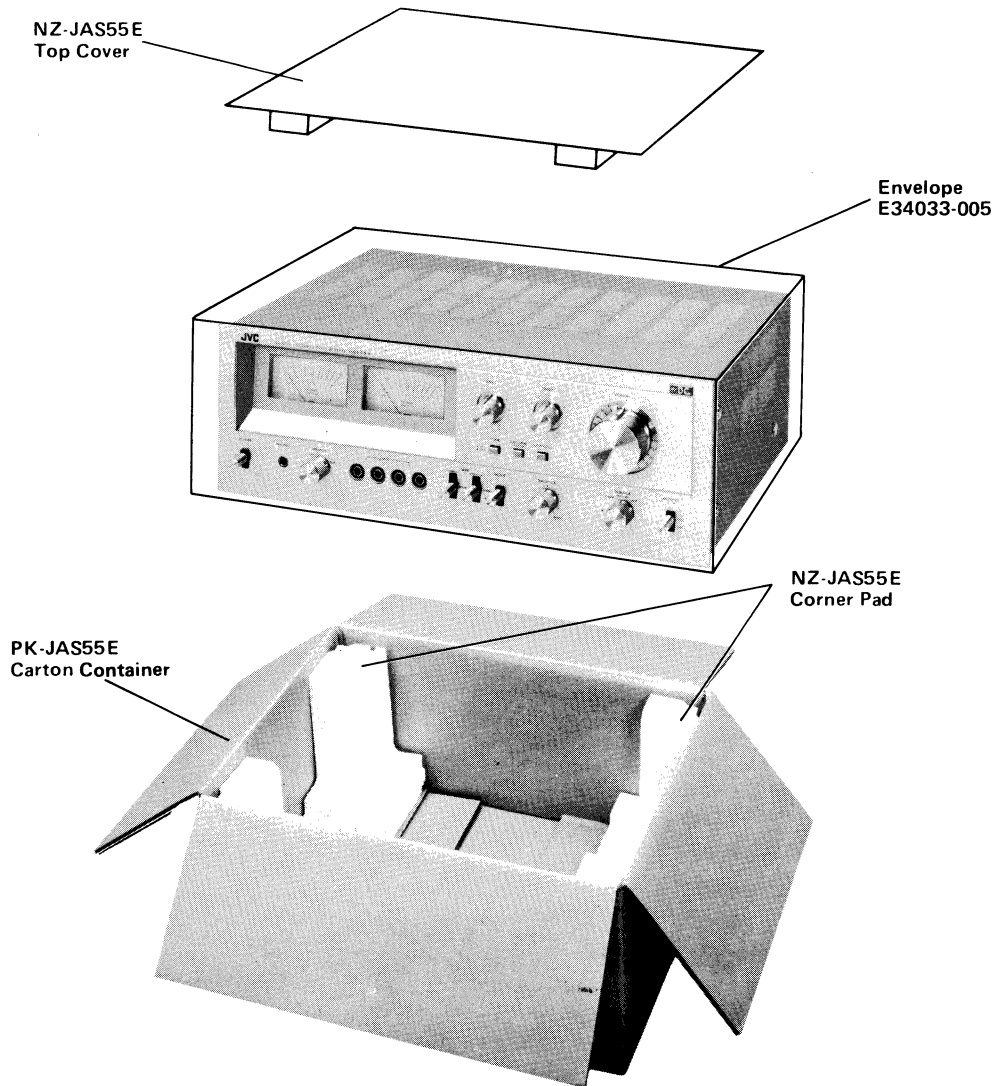


Fig. 18

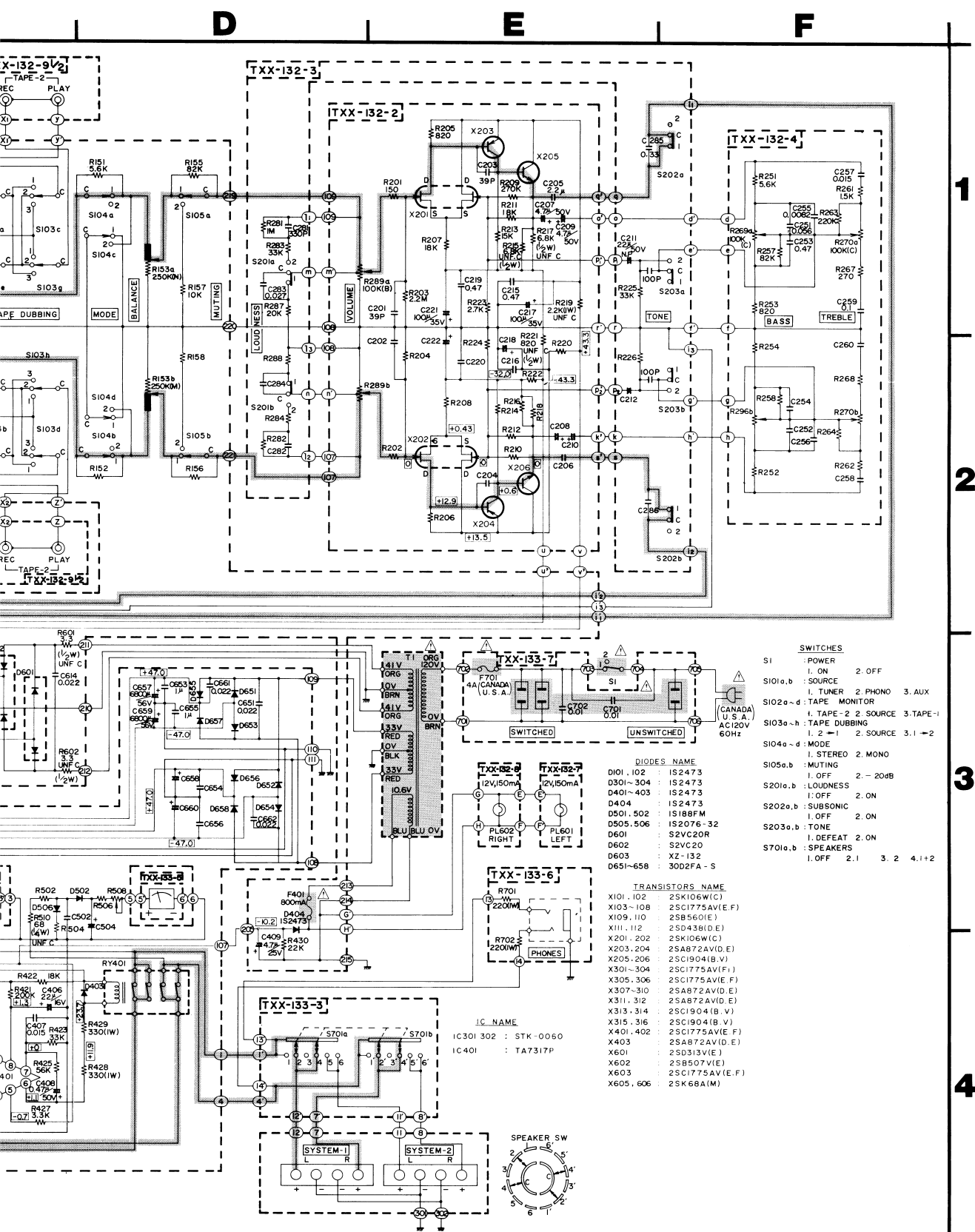
9. Accessories List

Item No.	Part Number	Description	Q'ty
1	E30580-678A	Instrucion Book	1
2	See below	Warranty Card	1
3	E64207-002	Envelope for Instrucion Book and Warranty Card	1
4	BT20024B	"Do It Better" (for U.S.A. only)	1
5	BT20023	Service Procedures (for U.S.A. only)	1
6	QMF60R1-5R0 (5.0 A) (See page 24.)	Fuse (for U.S. Military Market and Others) \triangle	1
7	E64208-001	Envelope for Fuses (for U.S. Military Market and Others)	1
8	E7958-N	Fuse Label (U.S. Military Market and Others)	1
9	E64216-002	Caution Tag (with Power Cord for Military Market only)	1

Warranty Card

NOTE: \triangle SAFETY PARTS

U.S.A.	Canada	U.S. Military Market	Europe	Australia	U.K.
BT20032	BT20025B	BT20032	—	BT20029	BT20013B

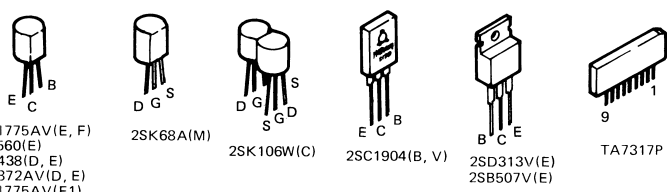


- SWITCHES**
- S1 : POWER
1. ON 2. OFF
 - S101a,b : SOURCE
1. TUNER 2. PHONO 3. AUX
 - S102a-d : TAPE MONITOR
1. TAPE-2 2. SOURCE 3. TAPE-1
 - S103a-h : TAPE DUBBING
1. 2 = 1 2. SOURCE 3.1 = 2
 - S104a-d : MODE
1. STEREO 2. MONO
 - S105a,b : MUTE
1. OFF 2. = 20dB
 - S201a,b : LOUDNESS
1. OFF 2. ON
 - S202a,b : SUBSONIC
1. OFF 2. ON
 - S203a,b : TONE
1. DEFEAT 2. ON
 - S701a,b : SPEAKERS
1. OFF 2.1 3.2 4.1+2

- DIODES NAME**
- D101, 102 : 1S2473
 - D301~304 : 1S2473
 - D401~403 : 1S2473
 - D404 : 1S2473
 - D501, 502 : 1S188FM
 - D505, 506 : 1S2076-32
 - D601 : S2VC20R
 - D602 : S2VC20
 - D603 : XZ-132
 - D651-658 : 3002FA-S

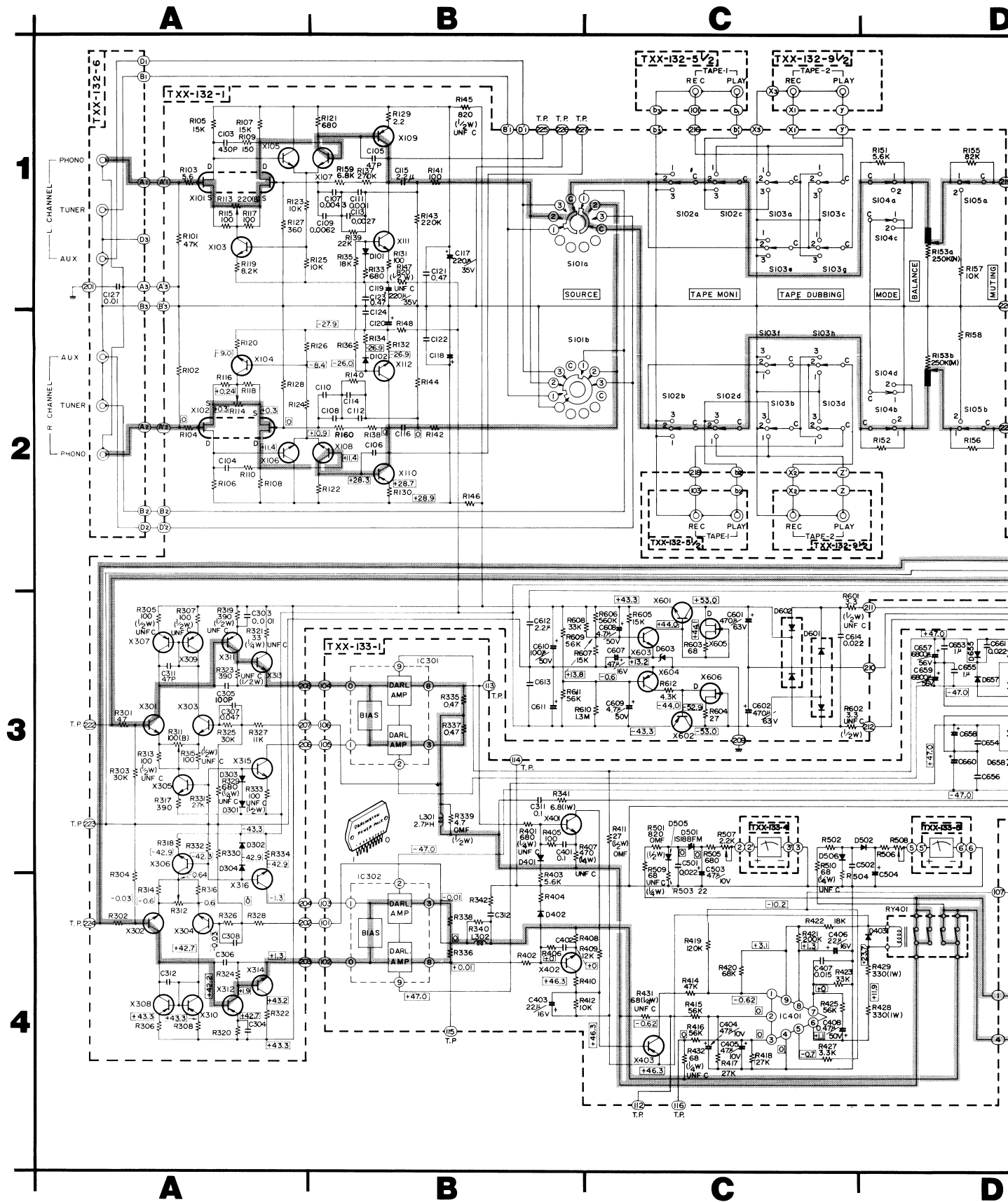
- TRANSISTORS NAME**
- X101, 102 : 2SK106W(C)
 - X103-108 : 2SC1775AV(E,F)
 - X109, 110 : 2SB560(E)
 - X111, 112 : 2SD438(D,E)
 - X201, 202 : 2SK106W(C)
 - X203, 204 : 2SA872AV(D,E)
 - X205, 206 : 2SC1904(B,V)
 - X301-304 : 2SC1775AV(F,I)
 - X305, 306 : 2SC1775AV(E,F)
 - X307-310 : 2SA872AV(D,E)
 - X311, 312 : 2SA872AV(D,E)
 - X313, 314 : 2SC1904(B,V)
 - X315, 316 : 2SC1904(B,V)
 - X401, 402 : 2SC1775AV(E,F)
 - X403 : 2SA872AV(D,E)
 - X601 : 2SD313V(E)
 - X602 : 2SB507V(E)
 - X603 : 2SC1775AV(E,F)
 - X605, 606 : 2SK68A(M)

- IC NAME**
- IC301 302 : STK-0060
 - IC401 : TA7317P



- Notes:**
1. Parts in red indicate transistors or ICs.
 2. indicates signal path.
 3. indicates positive B power supply. Voltage values in are positive.
 4. indicates negative B power supply. Voltage values in are negative.
 5. When replacing the parts in the darkened areas and those marked with , be sure to use the designated parts to ensure safety.
 6. This is the standard circuit diagram.
- The design and contents are subject to change without notice.

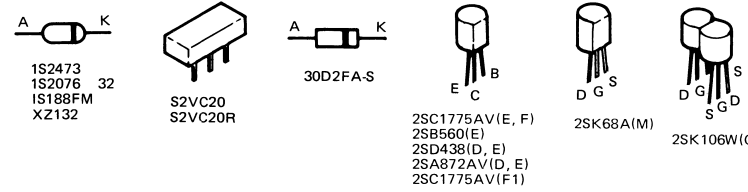
10. JA-S55 Schematic Diagram



Printed Circuit Board Ass'y Locations

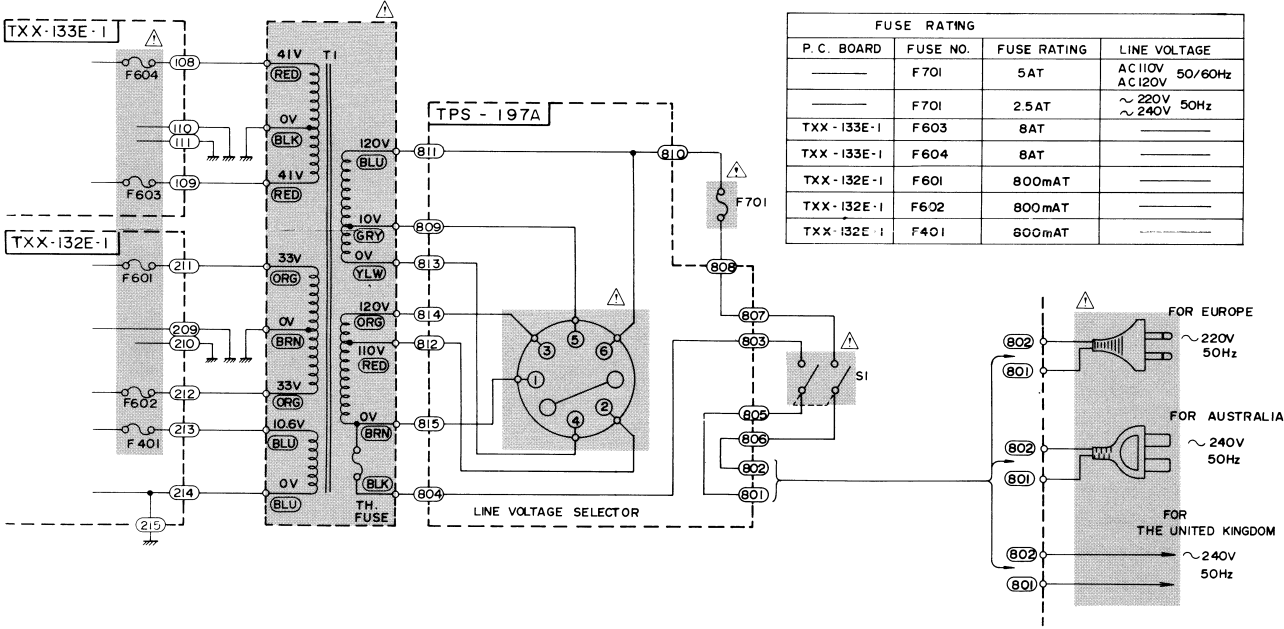
P.C. Board Ass'y	Description	Page
TXX-132B, C, D or E	Driver & Equalizer Amp. P.C. Board Ass'y	9
TXX-133B, C, D or E	Power Amp. & Protector P.C. Board Ass'y	16
TPS-194A	AC Outlet & Voltage Selector P.C. Board Ass'y	20
TPS-197A	Line Voltage Selector P.C. Board Ass'y	20

Transistor, IC and Diode Lead Identification



(E), (A), (BS) (E) for EUROPE : ~ 220V, 50Hz
 (A) for AUSTRALIA : ~ 240V, 50Hz
 (BS) for U.K. : ~ 240V, 50Hz

(U), (P), (F)

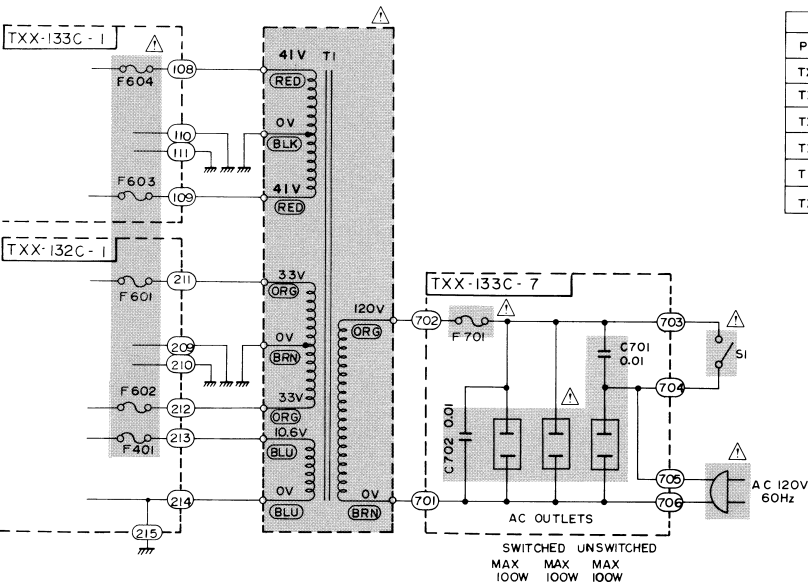
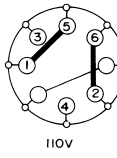


FUSE RATING			
P. C. BOARD	FUSE NO.	FUSE RATING	LINE VOLTAGE
---	F701	5AT	AC110V AC120V 50/60Hz
---	F701	2.5AT	~ 220V ~ 240V 50Hz
TXX-133E-1	F603	8AT	---
TXX-132E-1	F601	800mAT	---
TXX-132E-1	F602	800mAT	---
TXX-132E-1	F401	800mAT	---

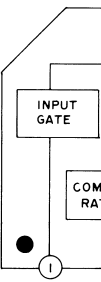
TXX-133D-1

TXX-132D-1

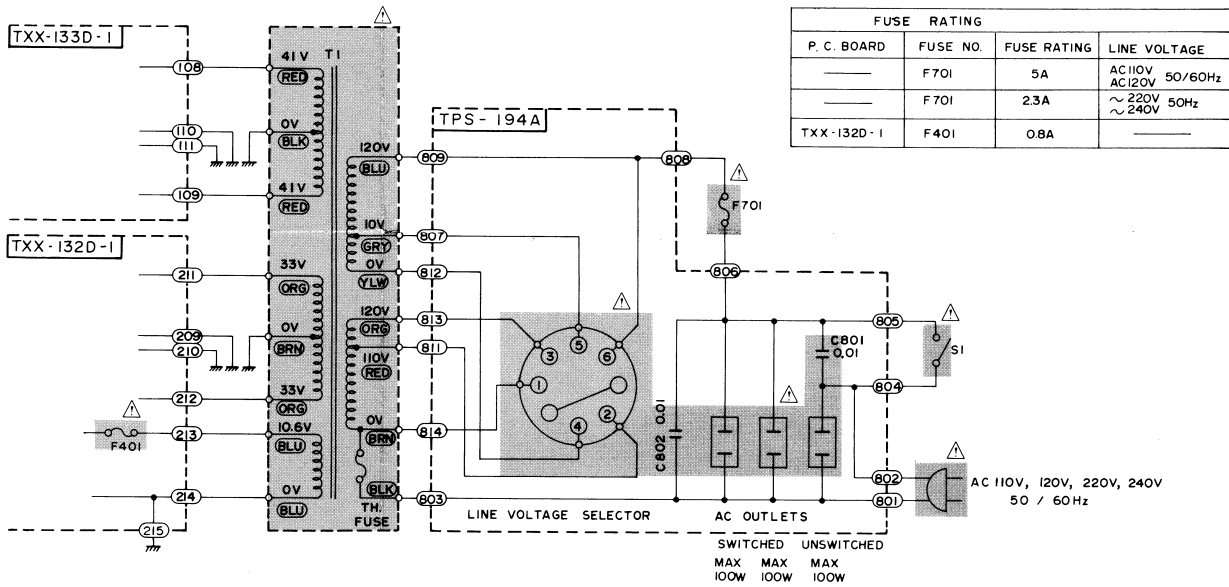
(C) for CANADA : AC120V 60Hz



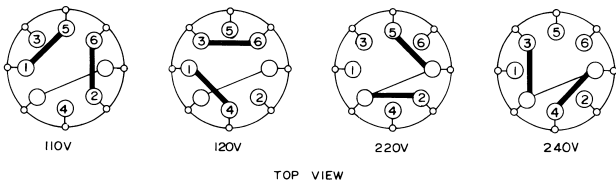
FUSE RATING			
P. C. BOARD	FUSE NO.	FUSE RATING	LINE VOLTAGE
TXX-133C-7	F701	5A	AC120V, 60Hz
TXX-133C-1	F603	8A	---
TXX-132C-1	F601	0.8A	---
TXX-132C-1	F602	0.8A	---
TXX-132C-1	F401	0.8A	---



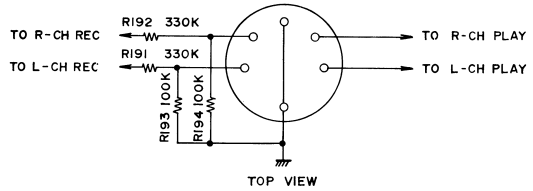
(U), (P), (F) (U) for OTHER COUNTRIES
(P), (F) for PACEX



VOLTAGE SELECTOR CONNECTION



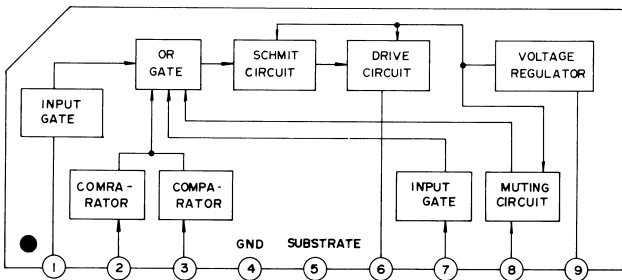
DIN CONNECTOR



ATTACHED TO (E),(A),(BS),(U),(P),(F) TYPE MODEL

Note: ⚠ Safety Parts.

PROTECTOR IC IC 401 TA7317P



11. Parts List with Specified Numbers for Designated Areas

Page	Item No.	Description	U.S.A.	Canada	U.S. Military Market & Other Countries	Europe	Australia	U.K.
5		Power Switch Δ	OSL2214-002	QSL2214-002	QSL2214-002	QSL2214-004	QSL2214-004	QSL2214-004BS
6		Power Cord Δ	QMP1200-244	QMP1200-244	QMP1200-244	QMP3910-244	QMP2610-200	QMP9017-008BS
4		Cord Stopper Δ	QHS3876-162	QHS3876-162	QHS3876-162	QHS3876-162	QHS3876-162	QHS3876-162BS
4		Power Transformer Δ	E03077-31B	E03077-31B	E03077-31C	E03077-31C	E03077-31C	E03077-31CBS
4, 6		Fuse Δ (Primary) (F701)	QMF61UI-4R0 (4.0 A)	QMF60RI-5R0 (5.0 A)	QMF60R-5R0 (5.0 A) QMF60RI-2R3 (2.3 A)	QMF51A2-2R5 (2.5 AT)	QMF51A2-2R5 (2.5 AT)	QMF51A2-2R5BS (2.5 AT)
4, 5		(Secondary) Δ (F603, F604)	—	QMF60RI-8R0 (8 A)	—	QMF51A2-8R0 (8 AT)	QMF51A2-8R0 (8 AT)	QMF51A2-8R0BS (8 AT)
		(Secondary) Δ (F601, F602, F401)	QMF61UI-R80 (0.8 A)	QMF60RI-R80 (0.8 A)	QMF60RI-R80 (0.8 A) (F401 only)	QMF51A2-R80 (0.8 AT)	QMF51A2-R80 (0.8 AT)	QMF51A2-R80BS (0.8 AT)
4, 6		AC Outlet Δ	QMC0637-001	QMC0637-001	QMC0637-002	—	—	—
6		Voltage Selector Δ	—	—	QSR0085-001	QSR0085-001	QSR0085-001	QSR0085-001BS
6	7-(2)	Rear Panel Fuse P.C. Board Ass'y Δ	E22746-001 TXX-133B-7	E22746-001 TXX-133C-7	E22746-002 —	E22746-002 —	E22746-002 —	E22746-002BS —
20	7-(3)	Line Voltage Selector P.C. Board Ass'y Δ	—	—	TPS-194A	TPS-197A	TPS-197A	TPS-197ABS
9	7-(1)	Driver & EQ Amp. P.C. Board Ass'y Δ	TXX-132B	TXX-132C	TXX-132D	TXX-132E	TXX-132E	TXX-132EBS
16	7-(2)	Power Supply P.C. Board Ass'y	TXX-133B	TXX-133C	TXX-133D	TXX-133E	TXX-133E	TXX-133EBS
		Mask Plate	—	—	—	E65494-001	E65494-001	E65494-001

NOTE: Δ SAFETY PARTS

JVC

VICTOR COMPANY OF JAPAN, LIMITED, TOKYO, JAPAN